



The Border

Going from a place with a specific identity, to another, very different one - they are right next to each other. Like going through a secret door, or the wardrobe in Narnia.

It is not so much the movement from one place to another, as being in the second place and feeling like you discovered something hidden, and that you yourself is hiding. Going from an urban setting to a more nature-like one. You experience the city and the unbuilt nature as two environments that differ in color, light, material, sounds and form. Finding peace and calm in nature is valuable to many. Some like to camp out in the forest for days. For others, getting back to the city is the best part of the experience. Either way, taking a break from one or the other, can inspire, bring new perspectives and thoughts.

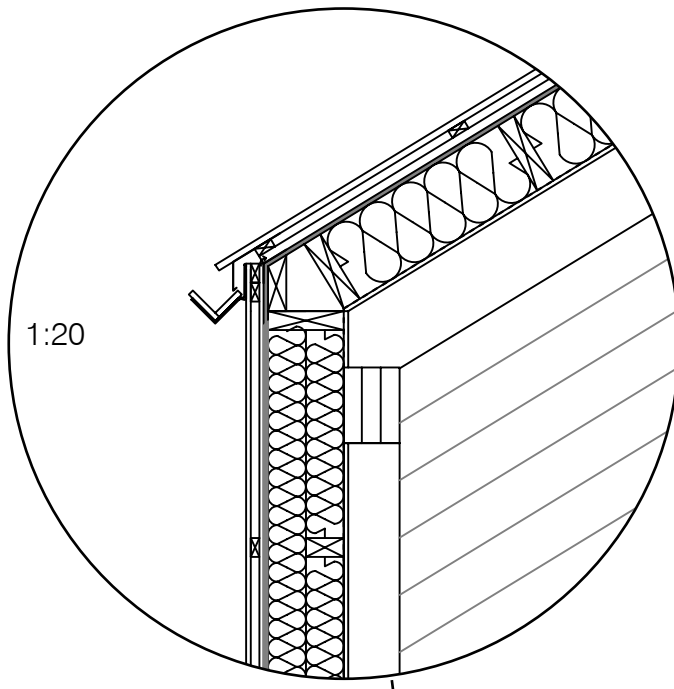
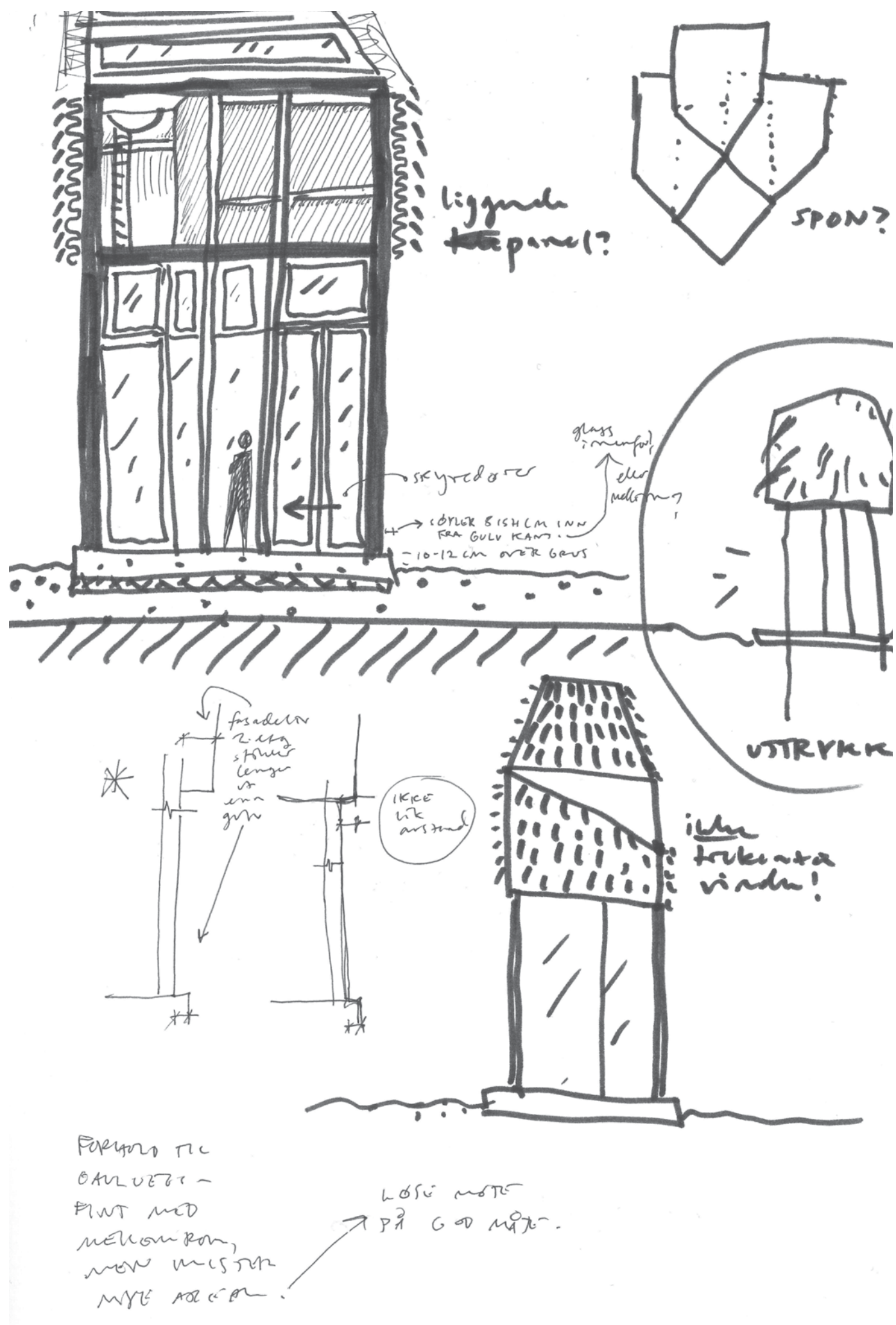


1:500

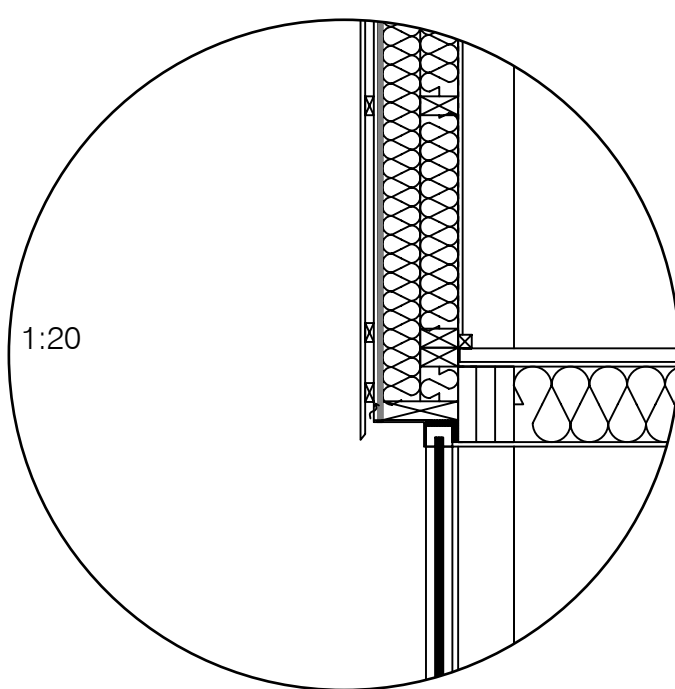


1:500

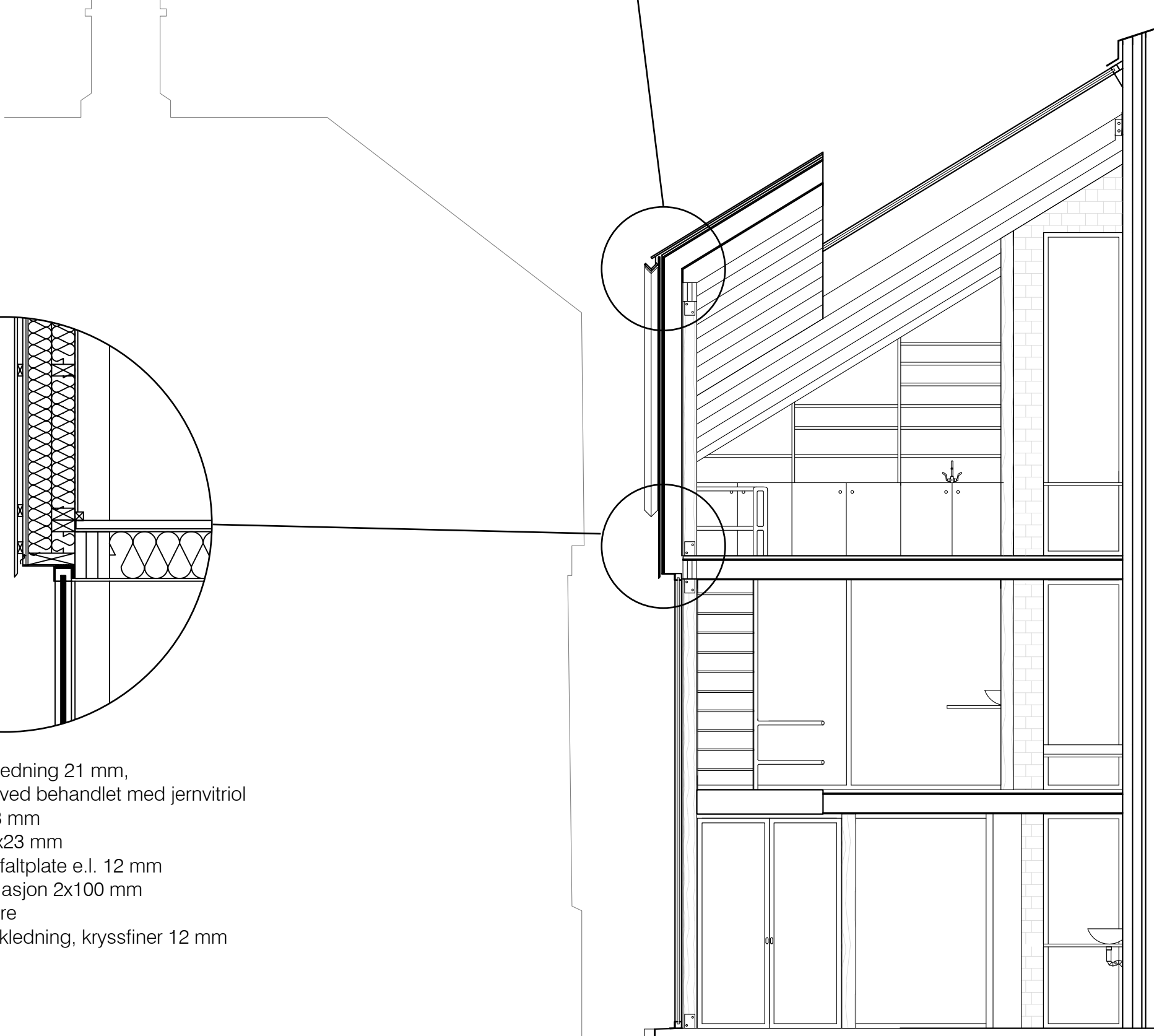




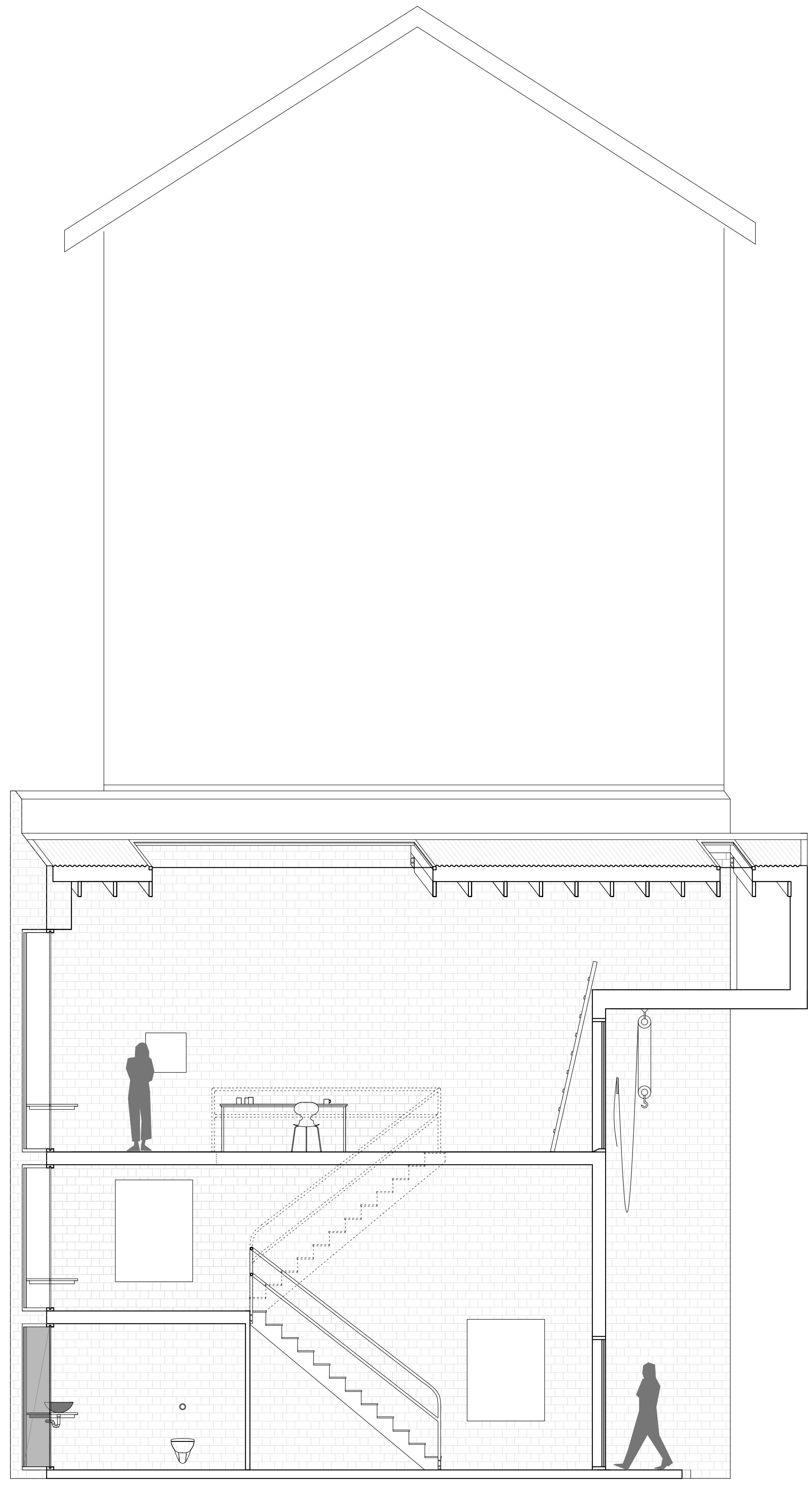
Taktekking sinus 18-plater  
 Lekter 36x48 mm  
 Søyler 11x23 mm  
 Vindtett undertak 18 mm,  
 teipes til vindtett vegg  
 Trefiberisolasjon 200 mm  
 Dampsperre  
 Innvendig kledning, kryssfiner 12 mm



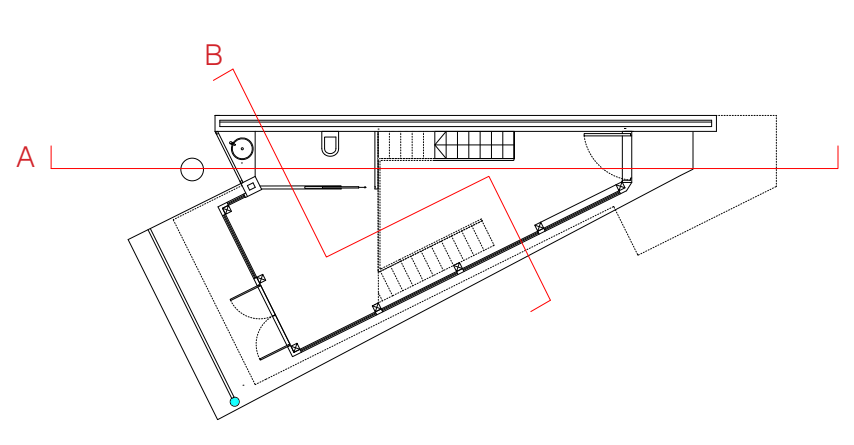
Stående kledning 21 mm,  
 furu kjerneved behandlet med jernvitriol  
 Lekter 36x48 mm  
 Søyler 11x23 mm  
 Vindtett asfaltplate e.l. 12 mm  
 Trefiberisolasjon 2x100 mm  
 Dampsperre  
 Innvendig kledning, kryssfiner 12 mm



section B 1:50



section A 1:50





**The site**

The small site of 36 sqm is located in Grønland, on the east side of Oslo. Like a wedge, it lies between two older buildings four and two storeys high. The space between the buildings towards the street, narrows down to 1,4 m and is closed by a fence, which makes the gap easy to miss when walking by. On the east side of the site, towards east, the site widens towards the little used Gartnerløkka Park, and a big chestnut tree stands in the southeast corner.

**Exterior**

Entering from the street, a narrow alley leads past the exhibition space and to the park.

The glass facade lets light from the gallery light up the alley at nighttime, and offers a glimpse of the trees in daytime.

The

**Interior**

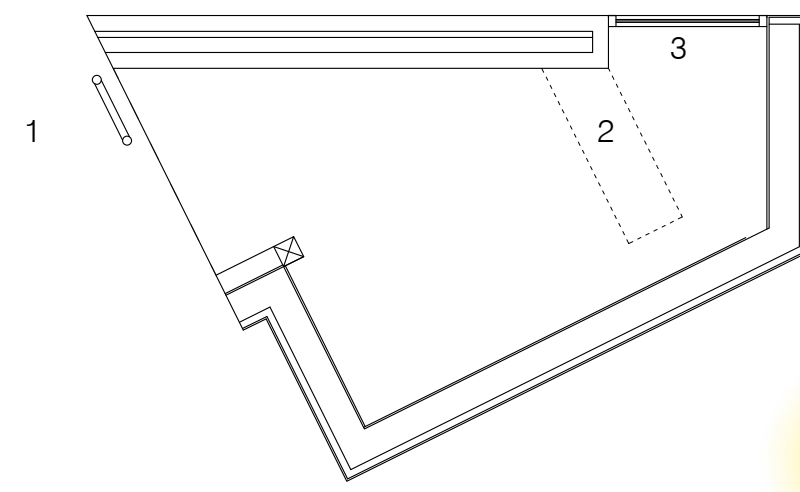
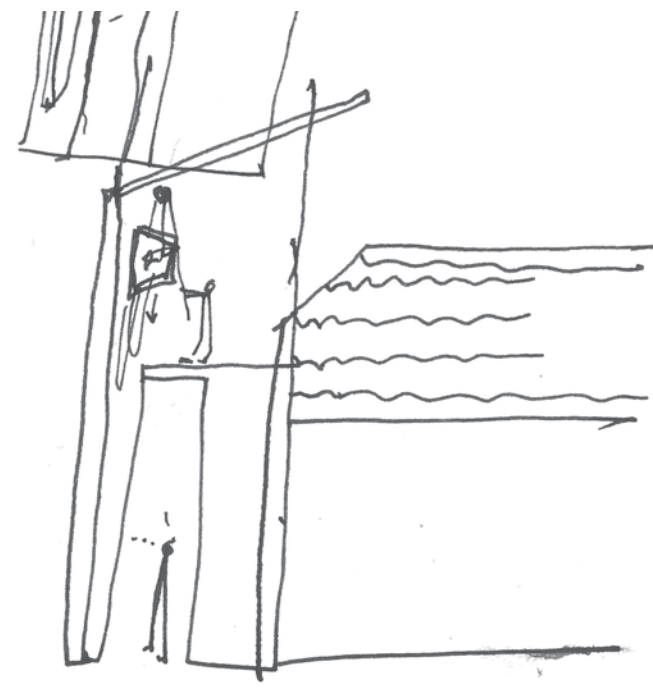
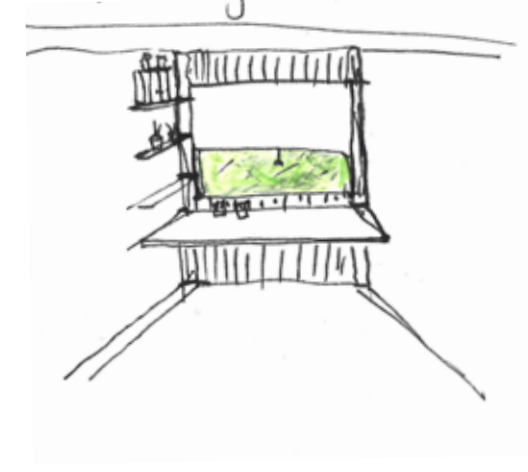
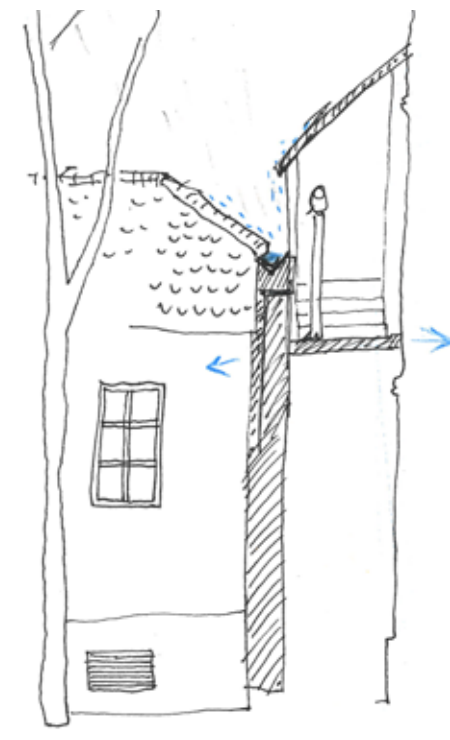
The first floor of the building can be used as a gallery for the artist, or as a second workspace if there is need for more room.

Doors on the east facade can be opened towards the park. One flight of stairs up is a mezzanine with a small kitchen and dining area. There is also a built in bench next to the window that frames the middle part of the chestnut tree.

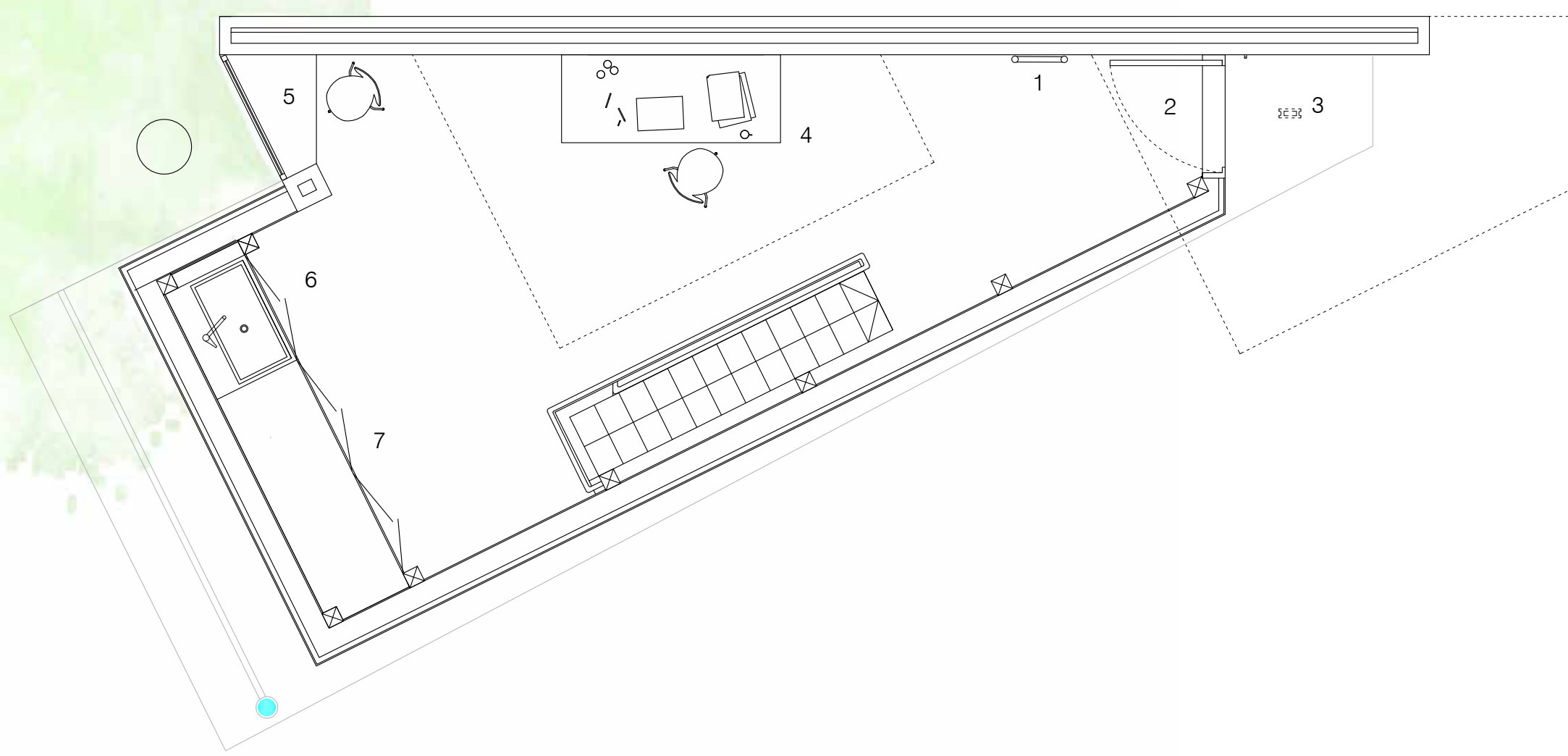
The next flight of stairs leads up to the atelier, the most private area of the building. It holds one workspace, a sink and storage. A door opens up to a pulley attached to the loft, to lower finished pieces down to the gallery or into transportation on street level.

There is a northfaced skylight letting in daylight, and the row of windows following the tree upwards, lets in light filtered through the foliage of the tree crown. A skylight in the small loft towards west will take in the light from a streetlamp outside, which will light up the loft and parts of the room at nighttime.

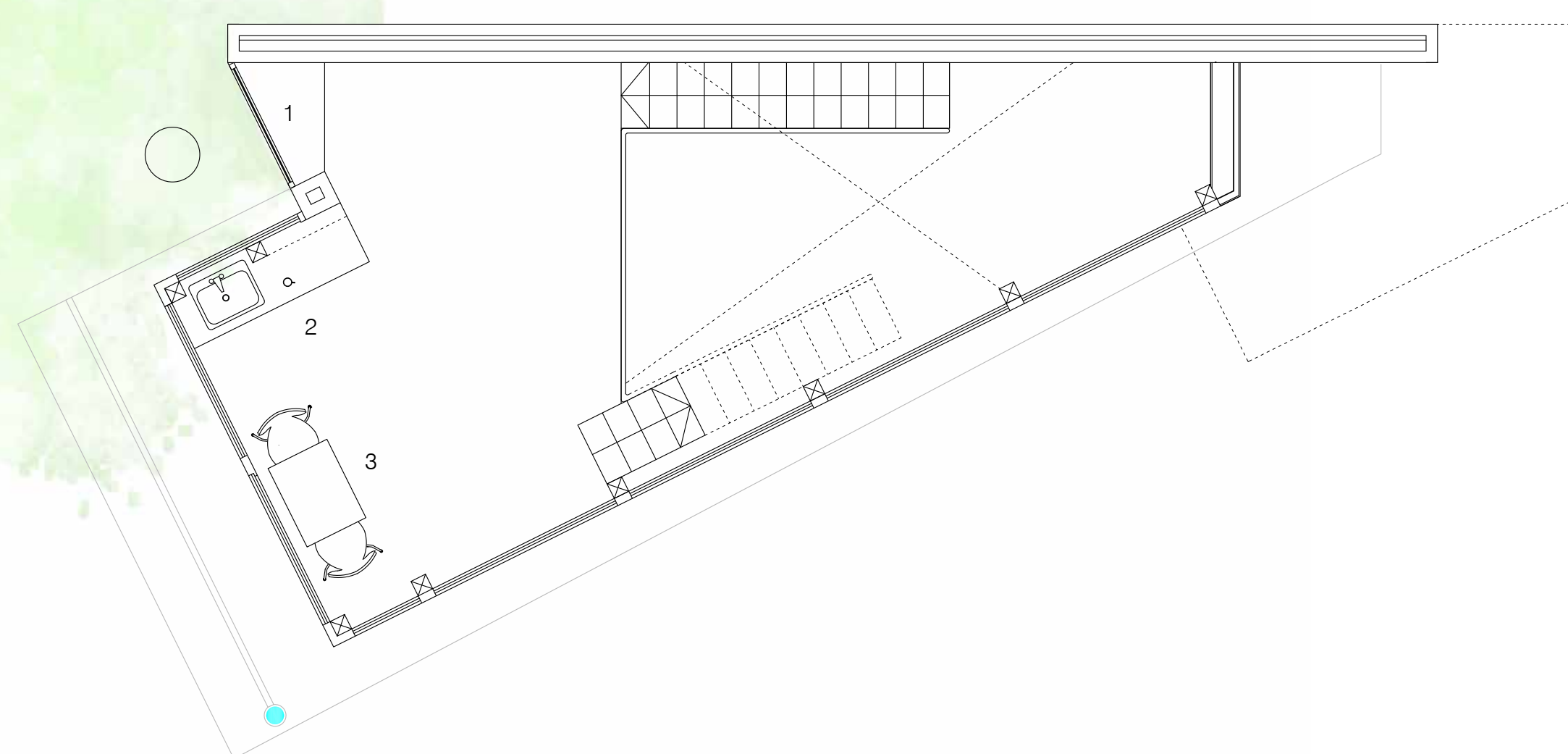
Climbing the ladder up to the loft, the artist can take a break from work, and observe life on the street from the southfaced window.



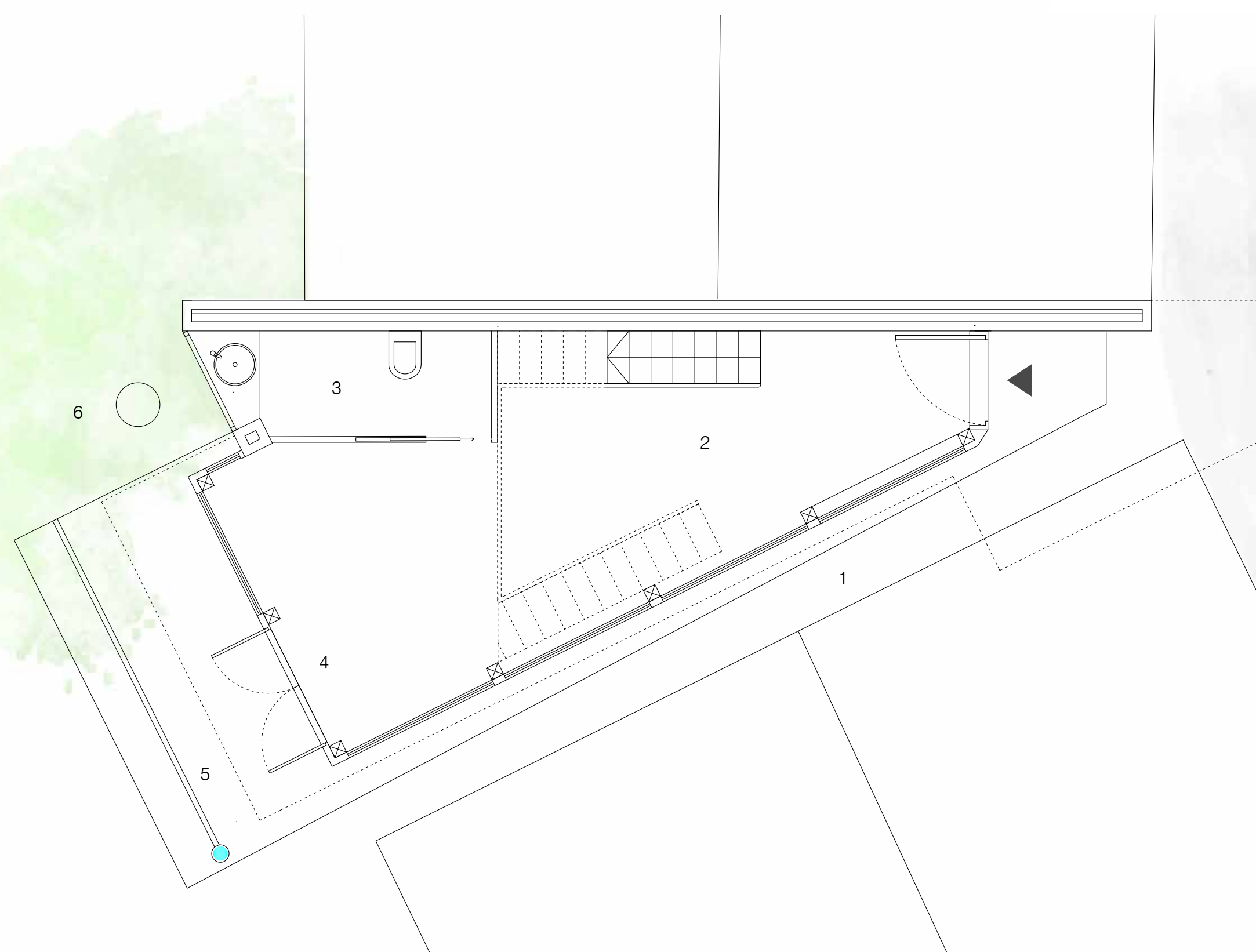
- Loft**  
C+ 12750
- 1 Moveable ladder from atelier
  - 2 Window that lets in streetlight
  - 3 Window for observing life outside



- Atelier**  
C+ 10200
- 1 Ladder leading up to loft
  - 2 Door opens out to pulley
  - 3 Pulley for moving artwork into gallery or onto transportation
  - 4 Workspace under northfaced skylight
  - 5 Bench/ workspace
  - 6 Sink
  - 7 Storage



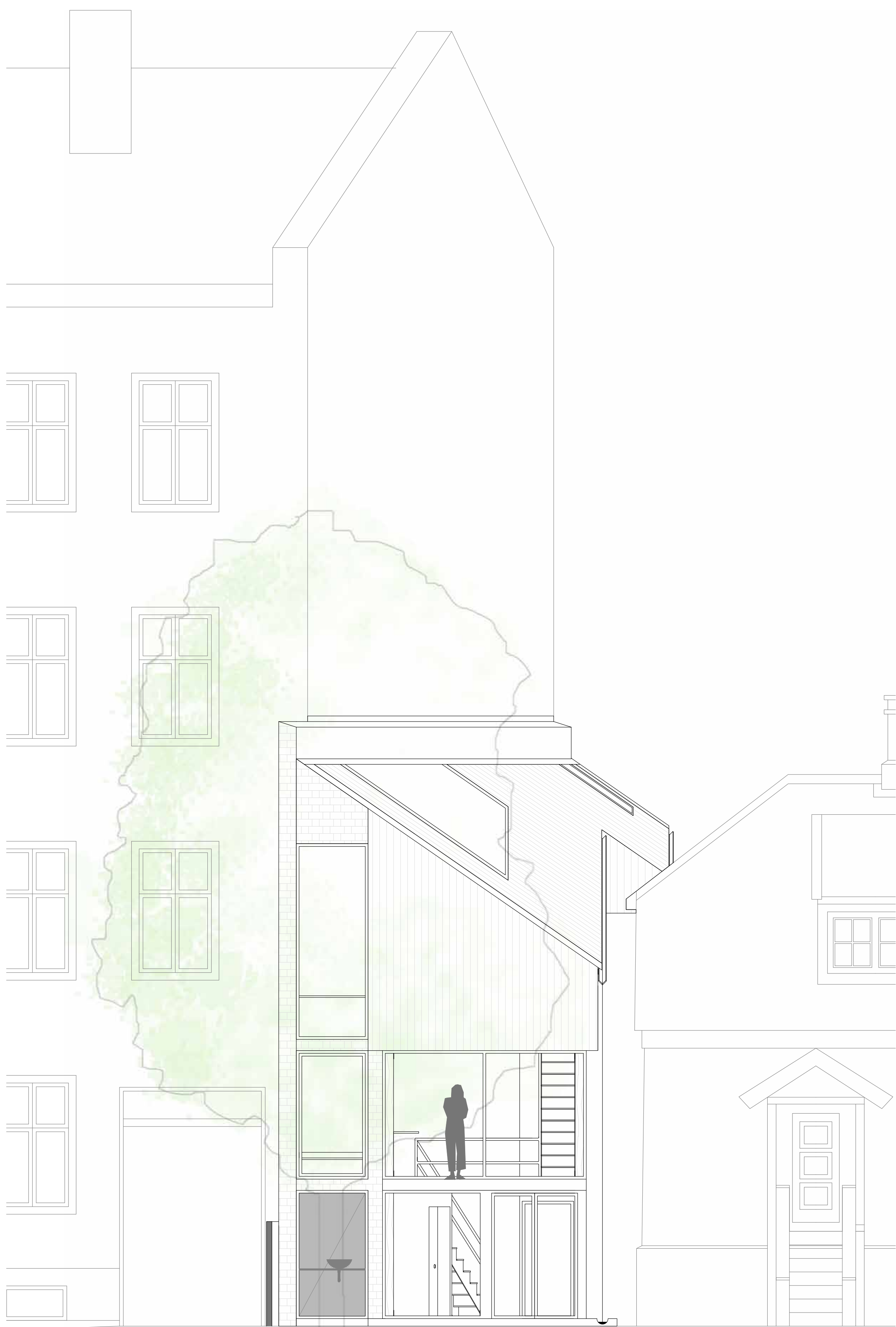
- Mezzanine**  
C+ 7700
- 1 Reading corner
  - 2 Kitchenette
  - 3 Eating area



- Gallery**  
C+ 5200
- 1 Alley
  - 2 Exhibition space
  - 3 Bathroom
  - 4 Doors leading out to park
  - 5 Grove in concrete floor to catch rainwater
  - 6 Chestnut tree



Facade West 1:50



Facade East 1:50





Facade North 1:50

