

The bicycle trip



First day on Eidsvoll Park.



We set up our tent in the forest.



Relaxing in a hammock over the lake.



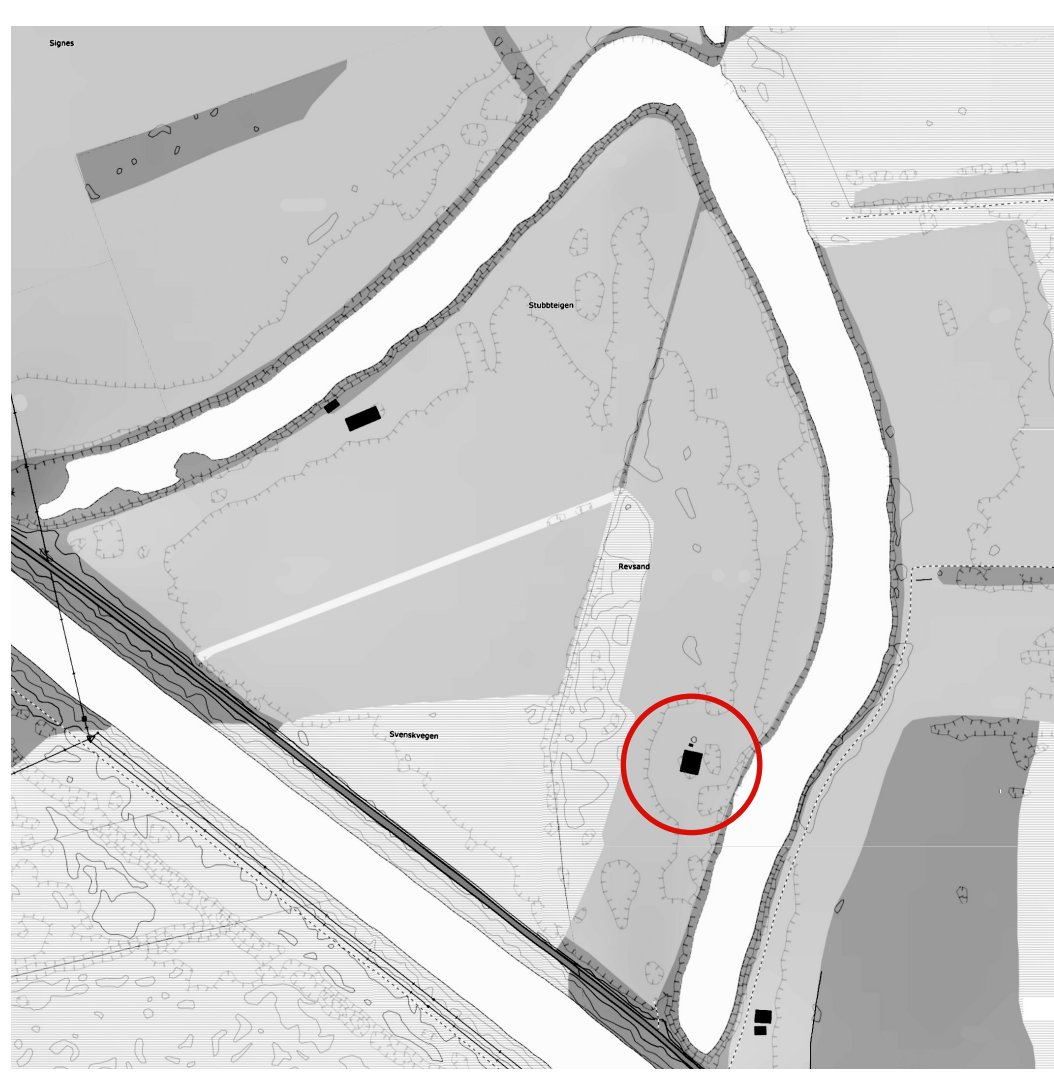
Barn near Beret with an active program, an open structure in good condition with minimal need of maintenance. Project: 2246.



Barn located in Ekeberg. Older barn with high quality construction using the 'toll' technique. The structure is sturdy, durable, and would need some attention. The barn consists of three smaller sections with an old storage. Project: 2247.



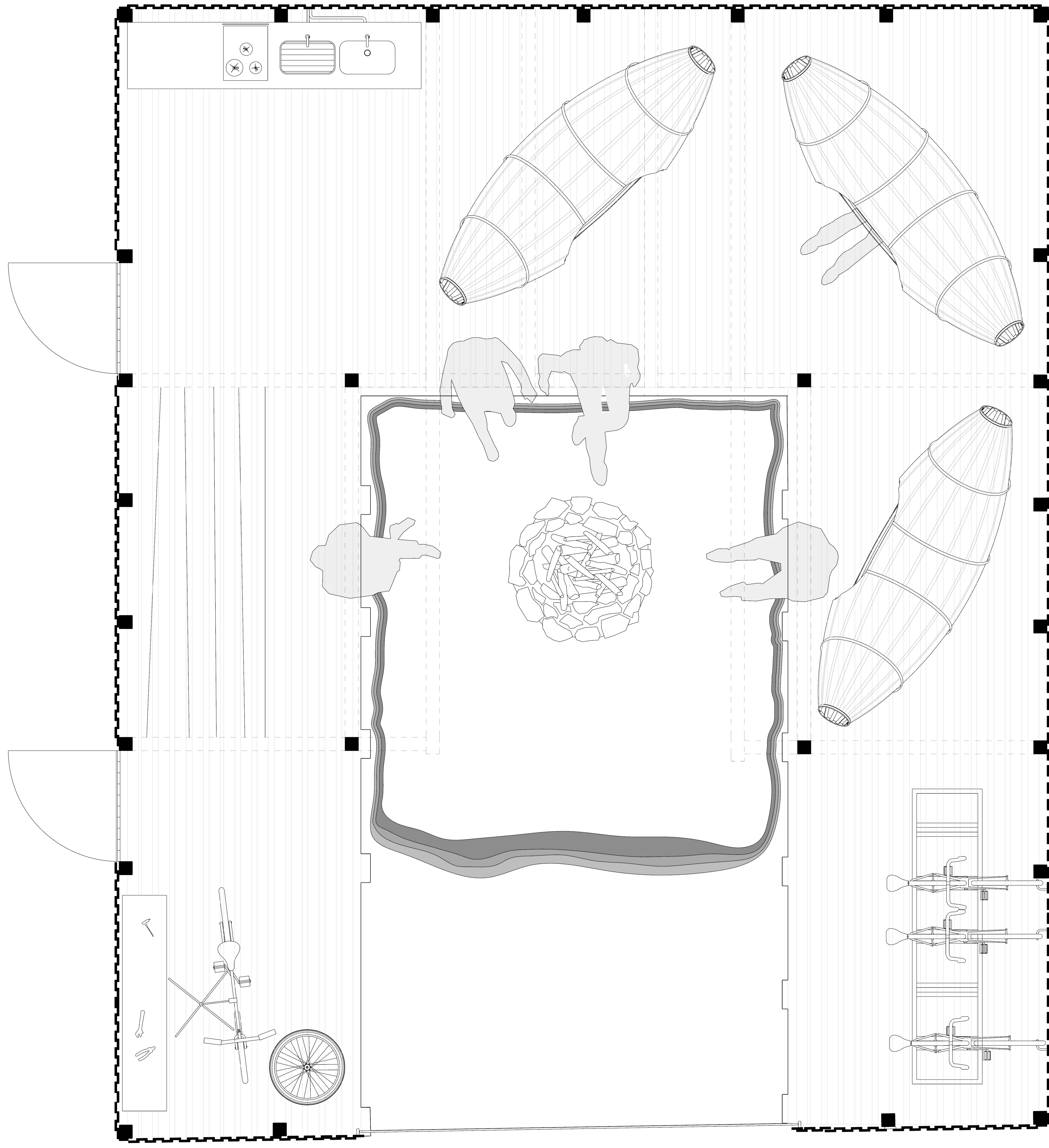
Barn located in the middle of a hill in Rindhaug. The barn is in good condition with the same structure as the other barns. One big open space will need some refurbishment and there is an active program starting in the Ekeberg. Project: 2248.



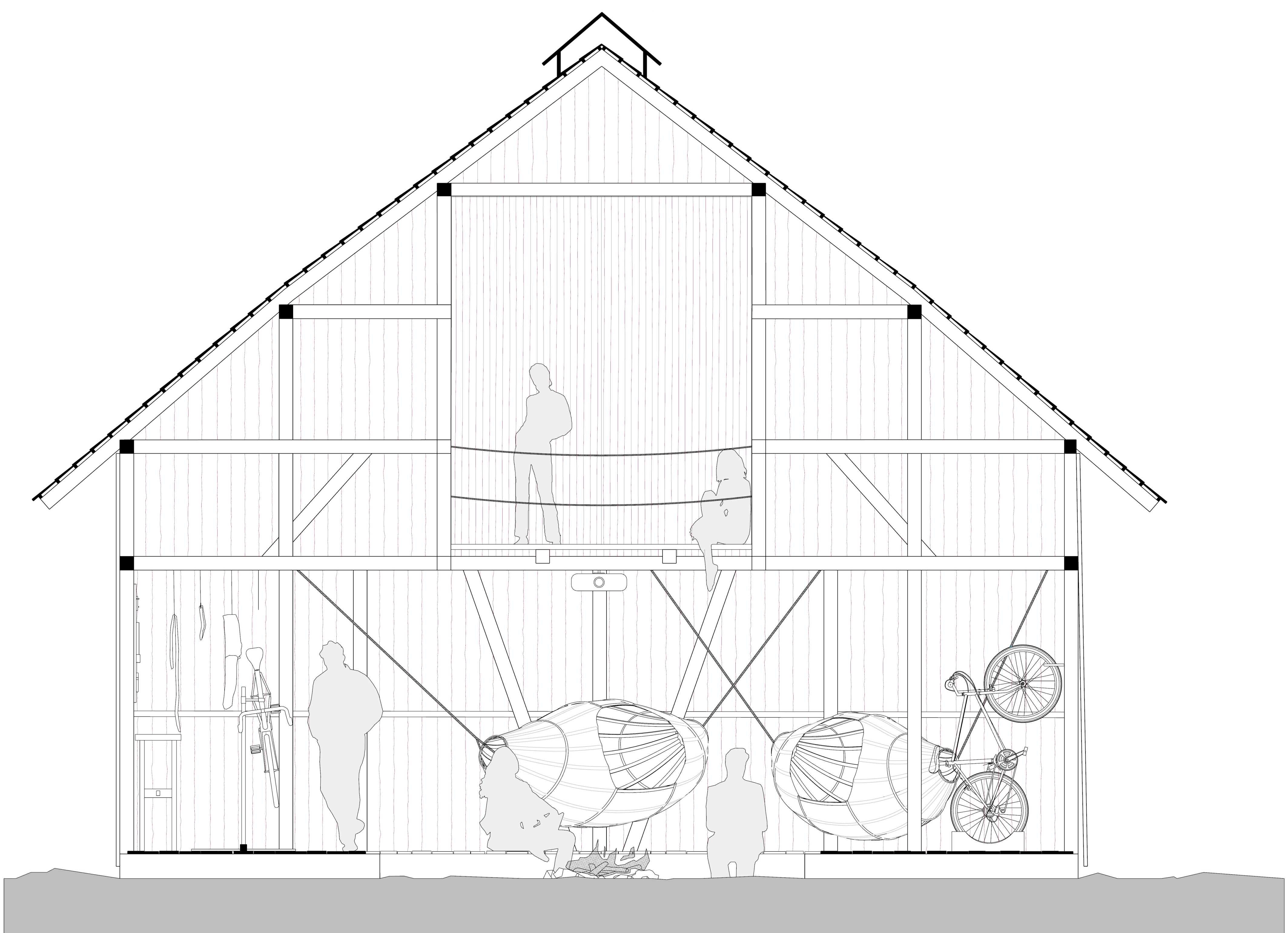
Site plan showing the barn in the middle of the field in Rindhaug.



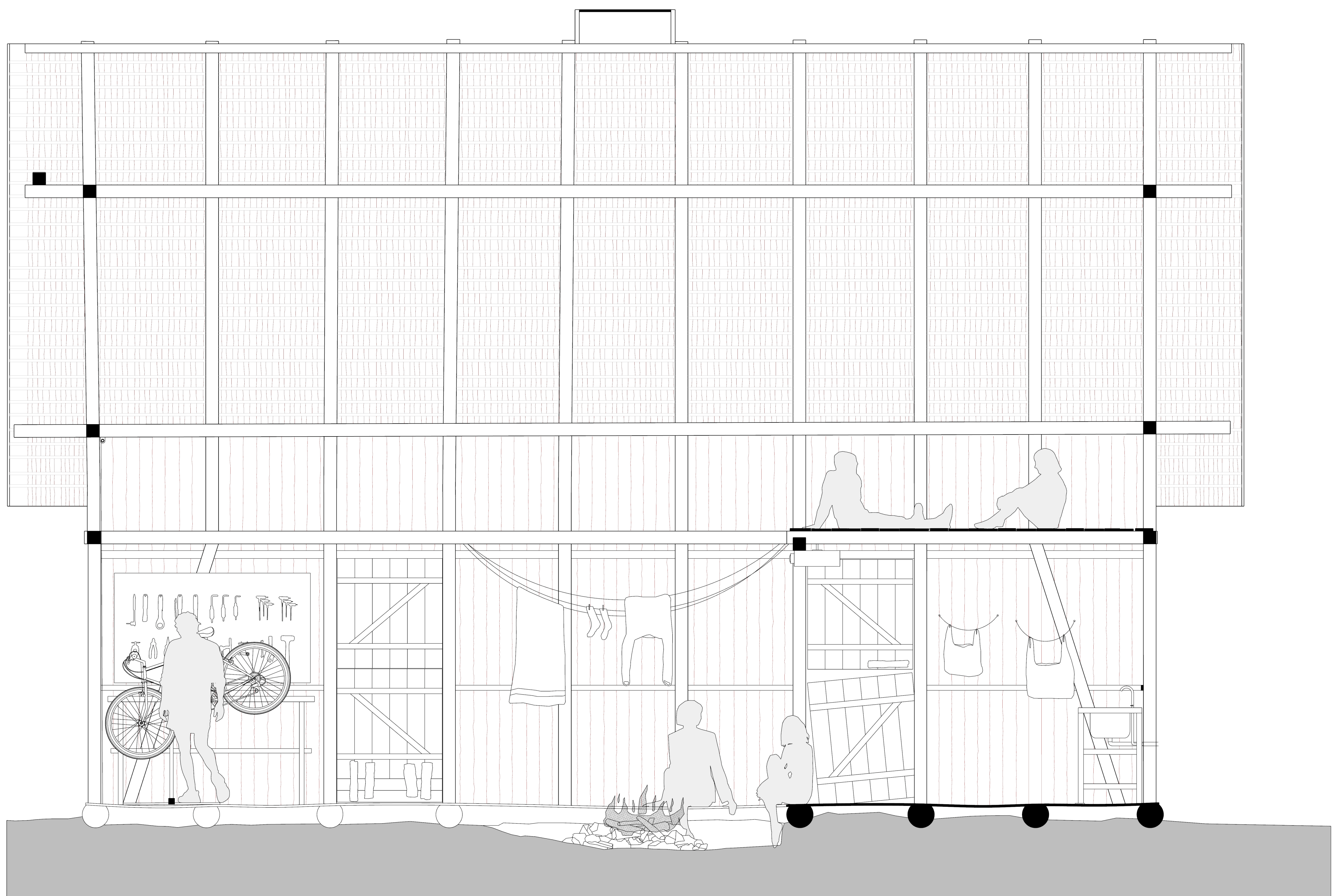
The barn in Rendalen



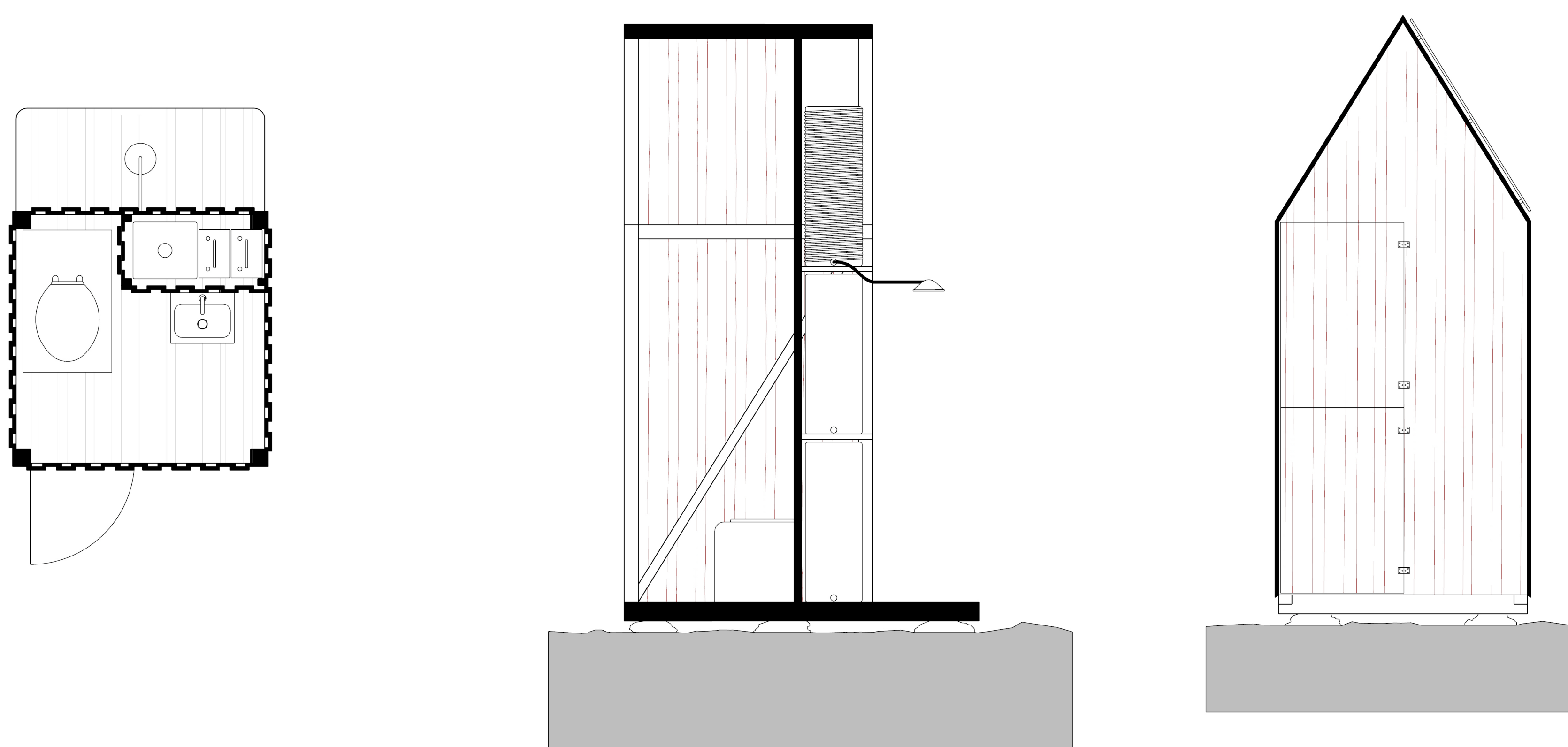
Plan 1:20



Section 1:20

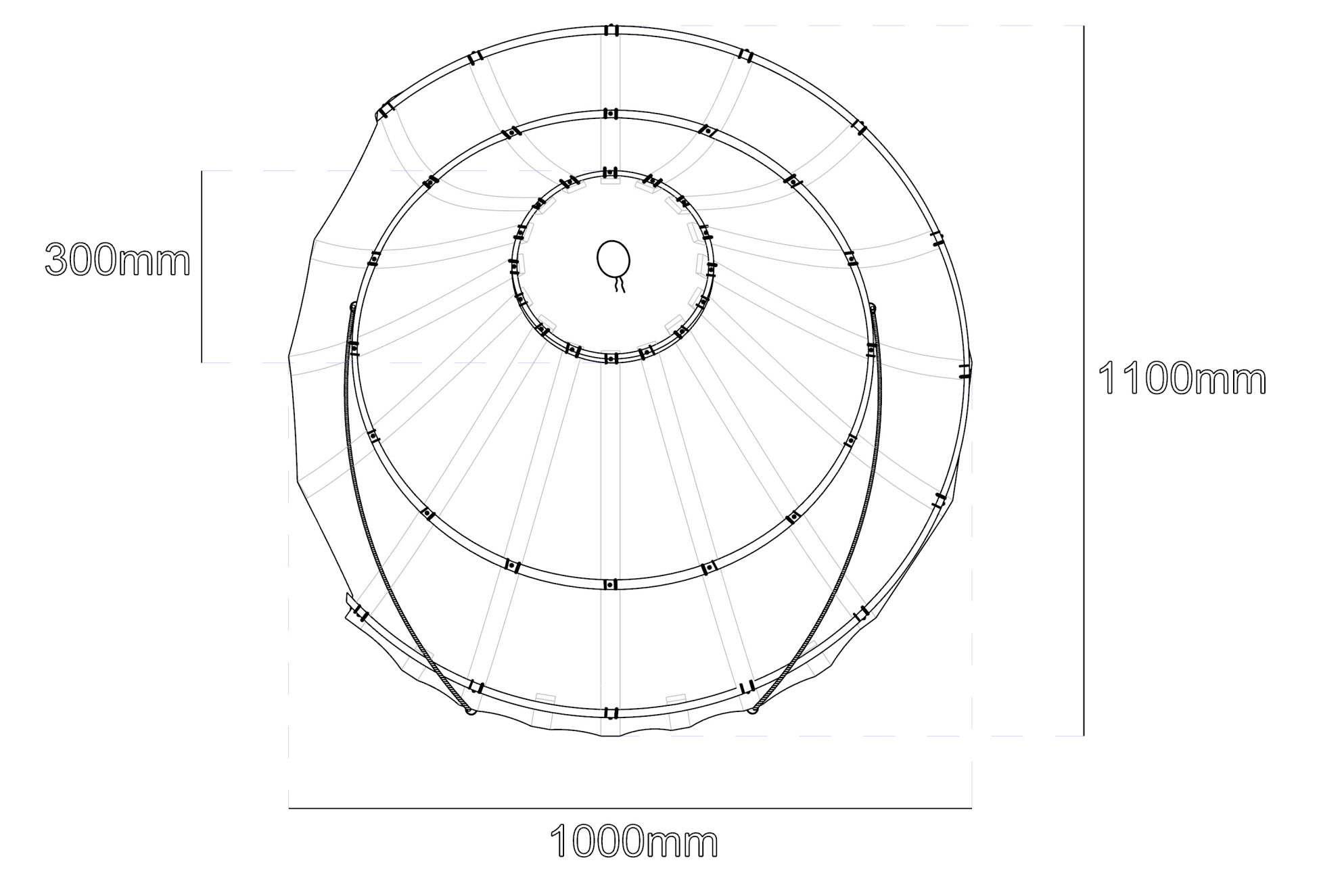
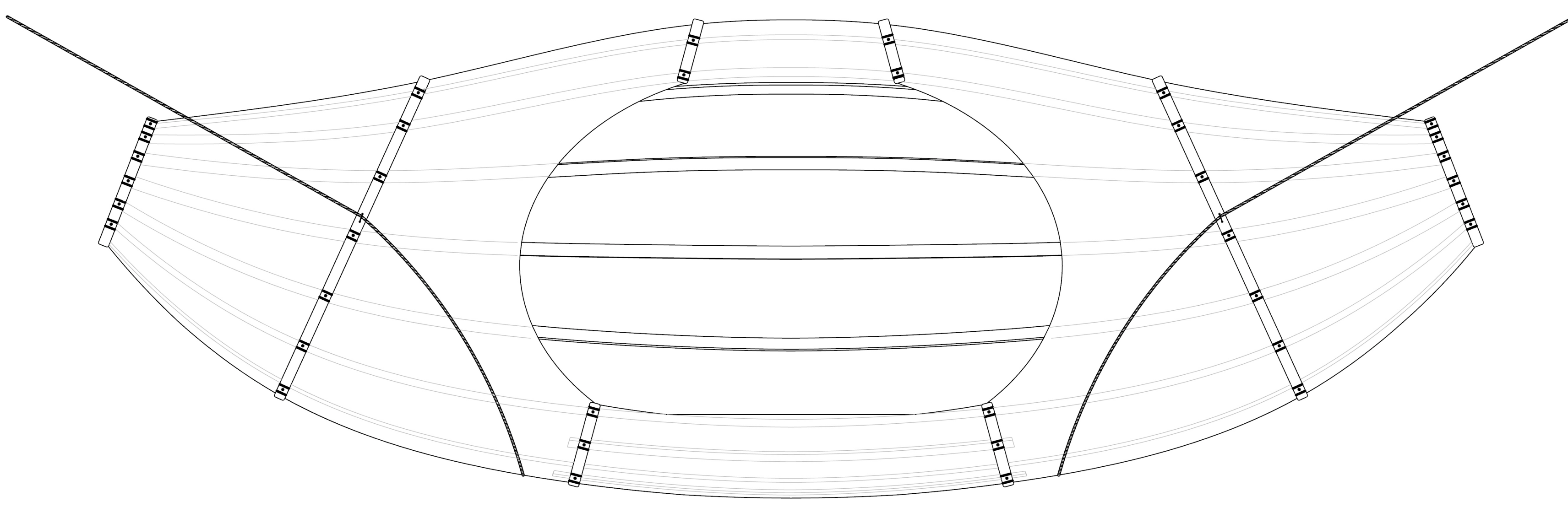
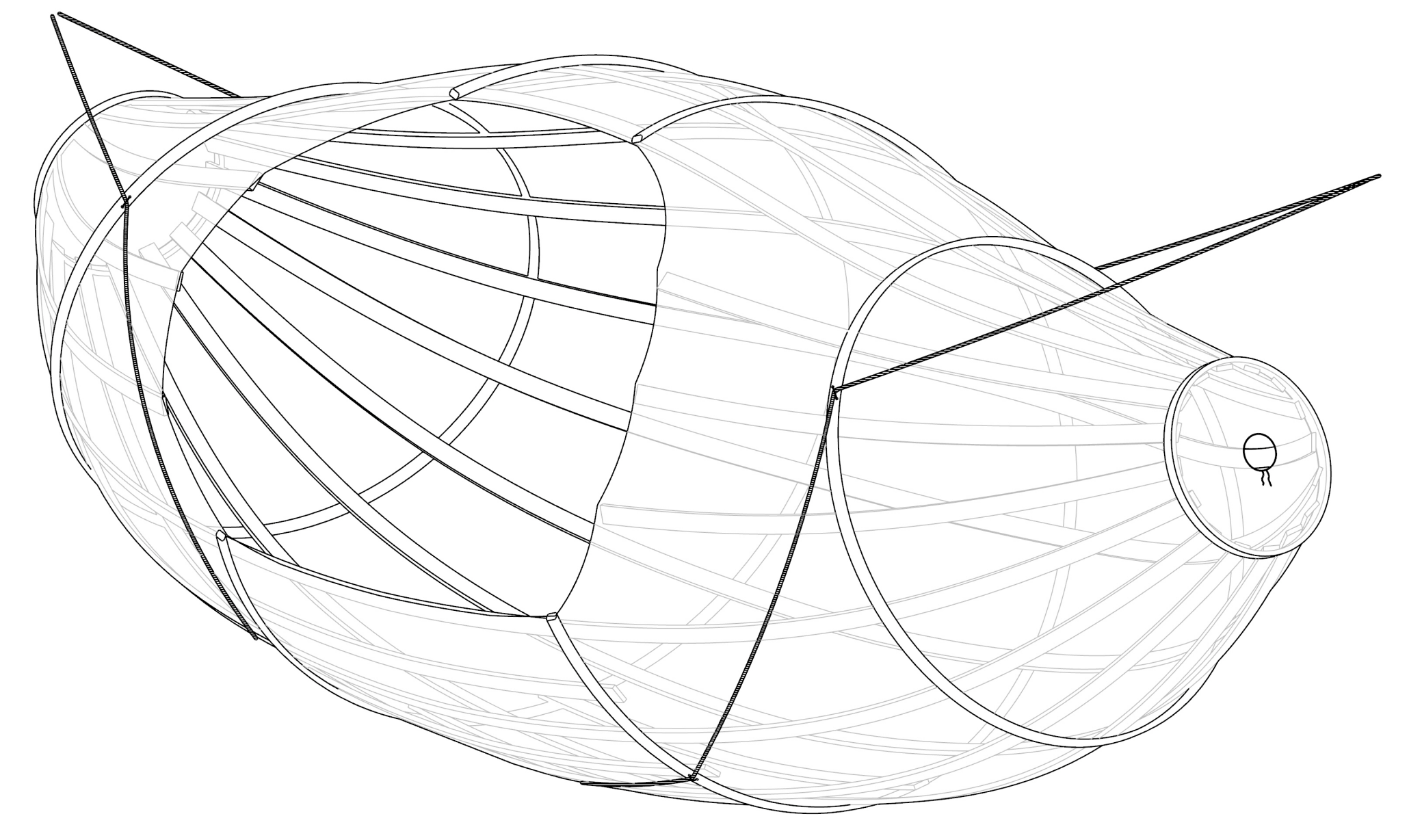
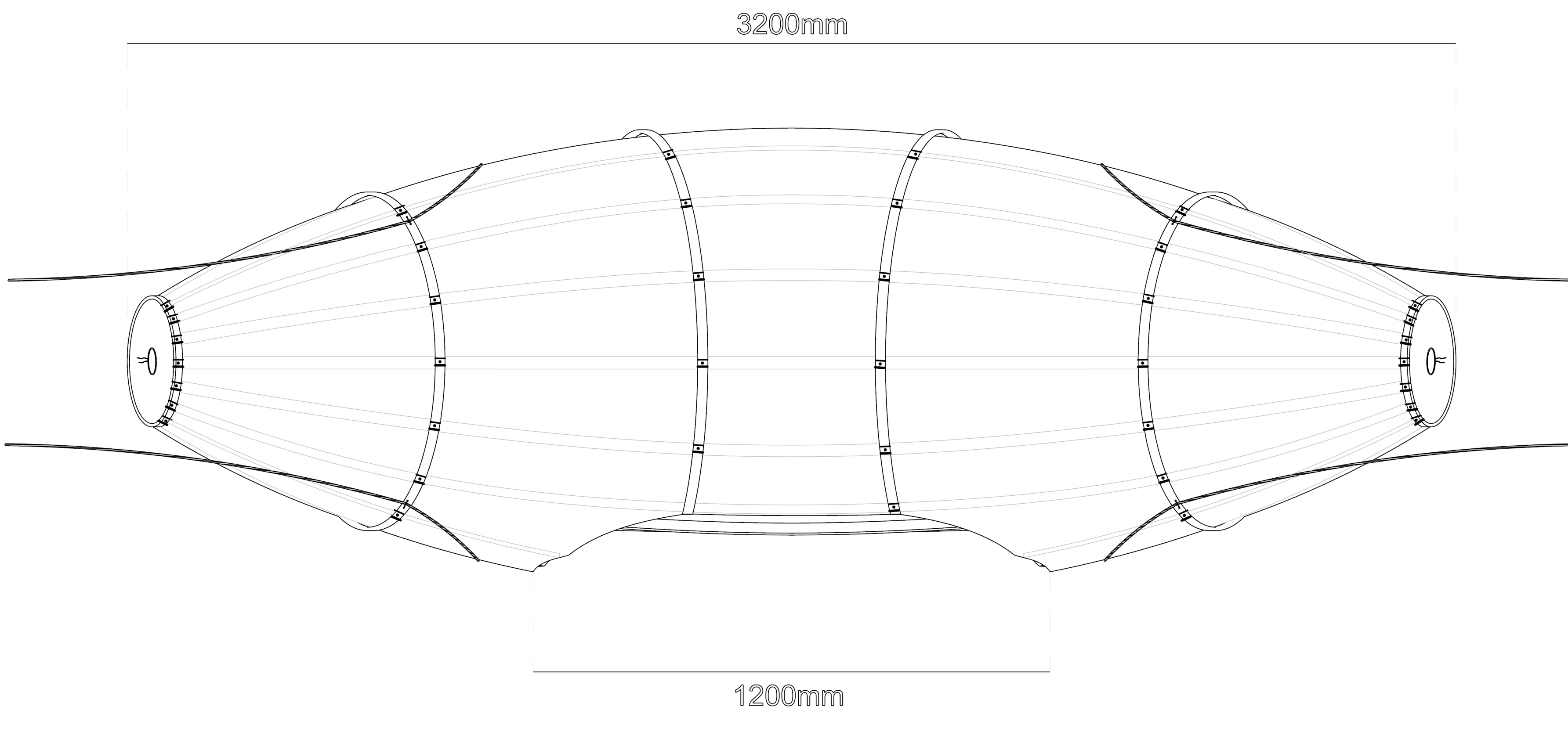


Section 1:20



Plan 1:20

The pod



Scale 1:8

